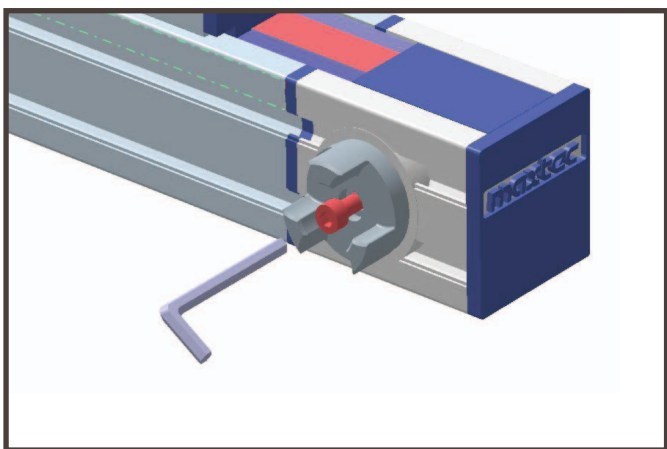
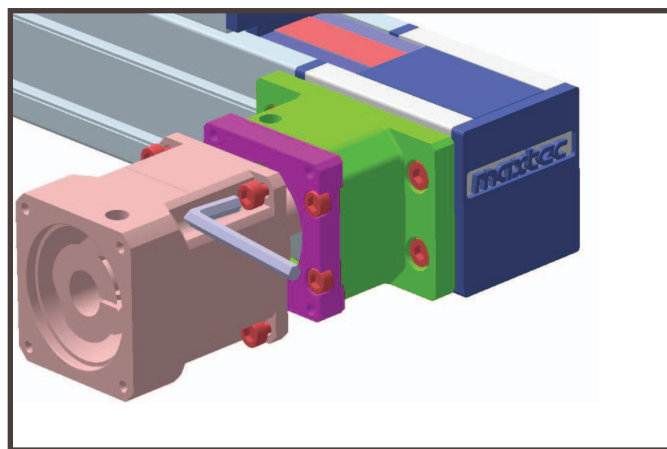


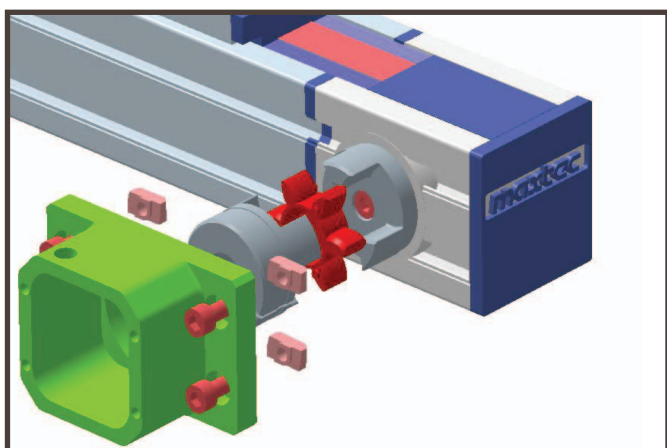
Coupling Kit Installation Guide



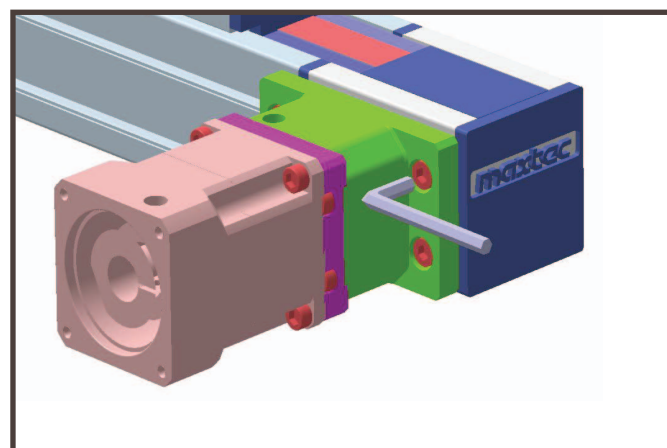
1. Place the coupling fixed-end toward the Rail. Ensure the coupling is tightly on wheel by L-shaped wrench.



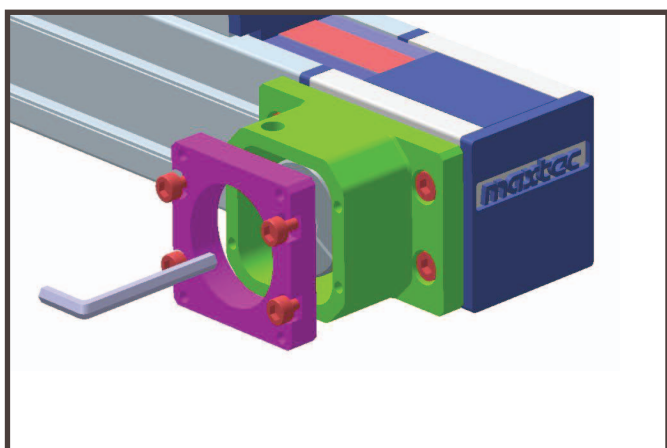
4. Insert the motor shaft into the sleeve and tighten the screws.



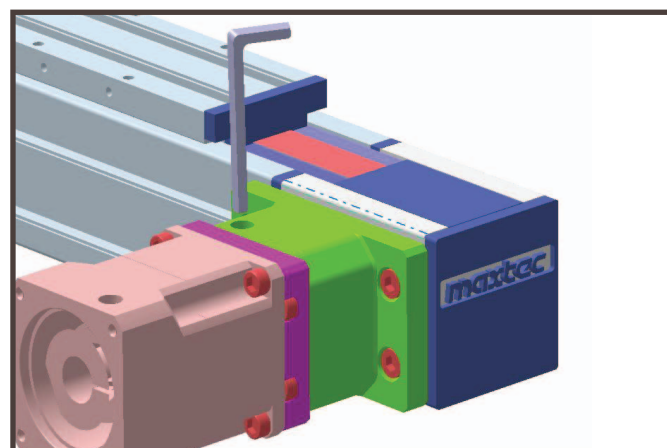
2. Assemble sleeve and other components in sequence. Insert sleeves screws and slightly tight them. (For installation convenience, you may remove the cover plate which with MAXTEC logo temporarily)



5. Tighten the screws on the sleeve.



3. Place the motor connection plate and tighten the screws.



6. Tighten the motor shaft and resume the sleeve screws.